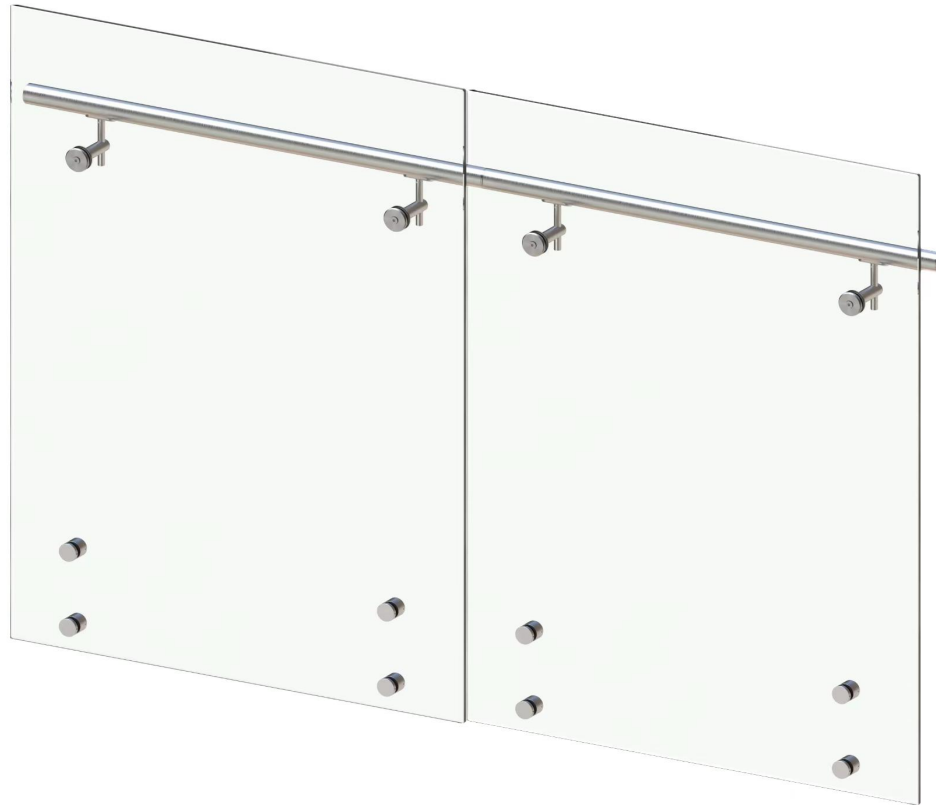
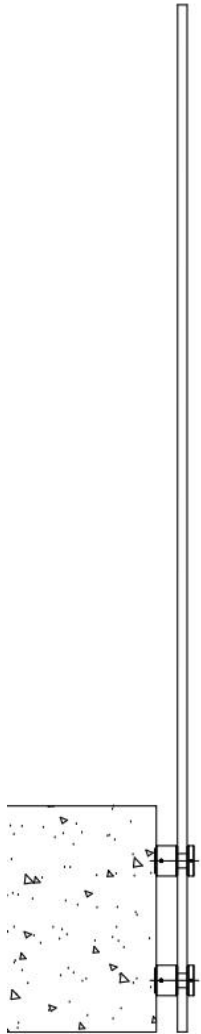


FRAMELESS GLASS RAILING SYSTEM

Standoff Railing

With a simple and fashionable design, standoff railing consists of three parts: glass fastener, glass panel, and handrail. Glass infills range from 12-21.52 mm monolithic or laminated tempered glass. Its mounting is very easy with a fixing accessory. It enriches the view of balconies and stairs and expands the areas.



Railing specification

	METARIAL	FINISH	SIZE
GLASS FASTENER	Stainless Steel - SS 304 - SS 316	- Satin - Mirror - Powder Coated (Outdoor Standard) - Electroplating (PVD)	- YX-FG1153: \varnothing 38 mm - YX-FG1154: \varnothing 50 mm - YX-FG1155: \varnothing 58 mm - YX-FG1156: 58*58 mm
INFILL	Glass	- Clear - Tinted - Frosted	Glass Thickness 10-21.52 mm
TOP RAIL / HANDRAIL	Stainless Steel - SS 304 - SS 316	- Satin - Mirror - Powder Coated (Outdoor Standard) - Electroplating (PVD)	- U-cap - Round Tube: \varnothing 42.4 / \varnothing 50.8mm - Square Tube: 25*50 / 40*40 / 50*50 mm - Round Slot: \varnothing 42.4 mm - Square Slot: 40*40 / 25*21 mm
	Wooden - Beech - Sapele - Teak	- Raw - Walnut Color - Rosewood Color Or Customized	- Round: \varnothing 42.4 / \varnothing 50.8 mm - Square Slot Handrail: 40*40 mm - Omega Shape: 40*80 mm Or Customized

Glass fastener



• YX-FG1153



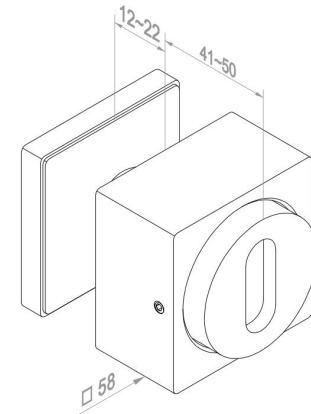
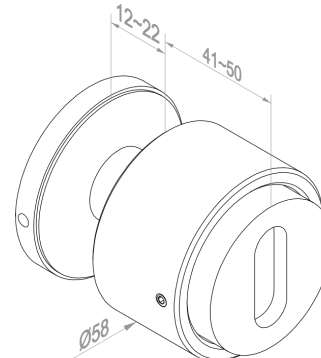
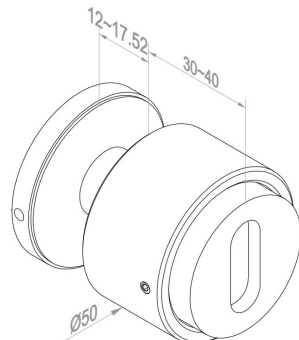
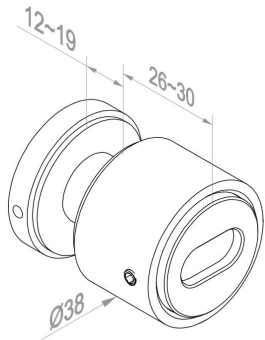
• YX-FG1154



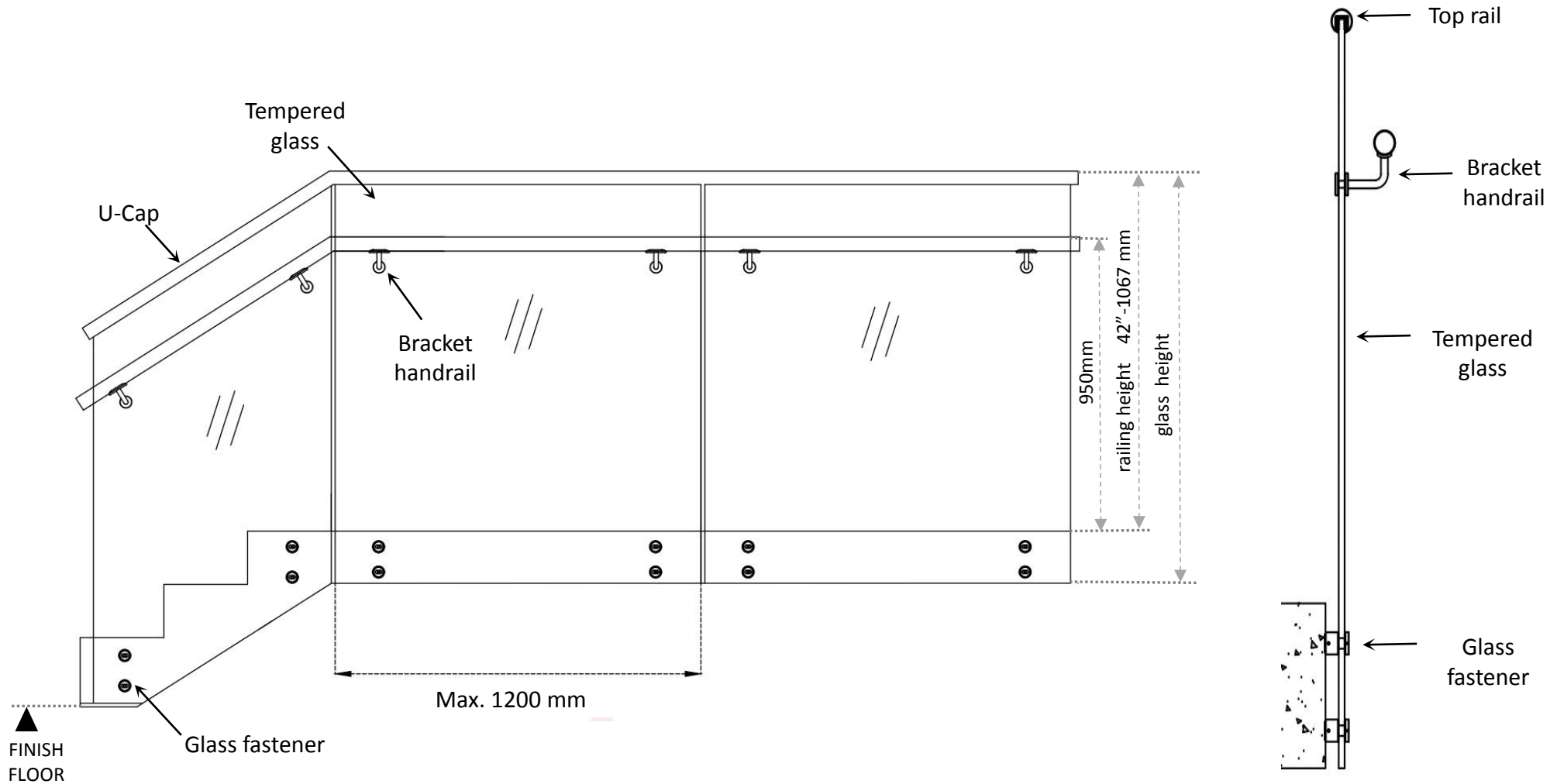
• YX-FG1155

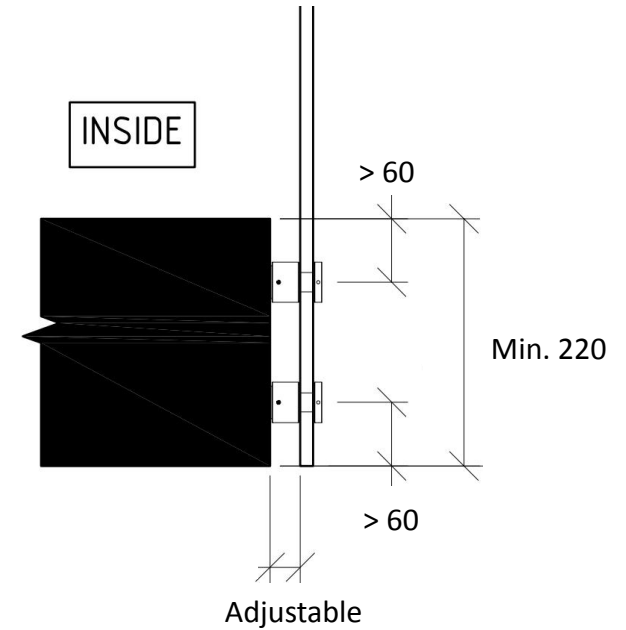
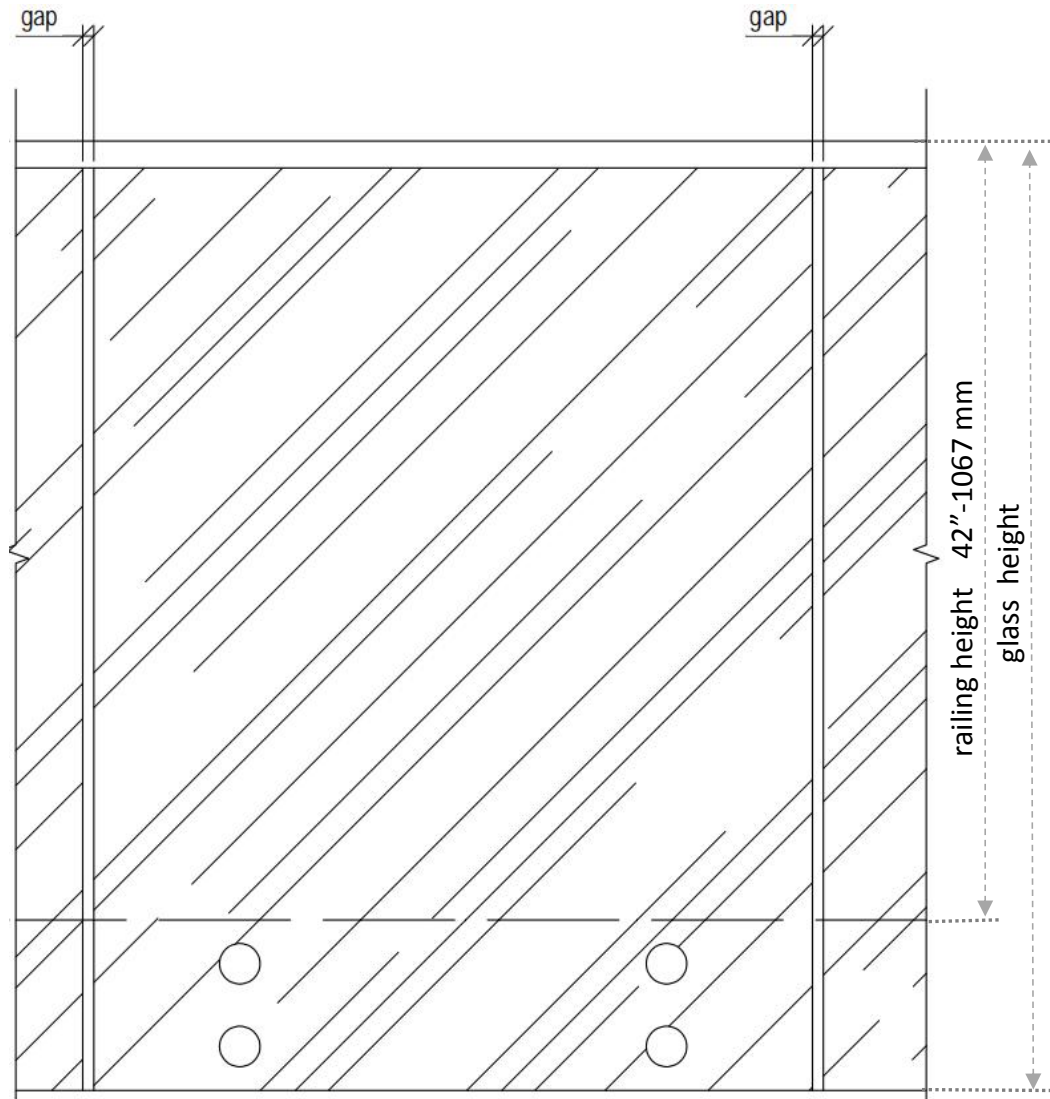


• YX-FG1156



Railing structure





Adjustable:

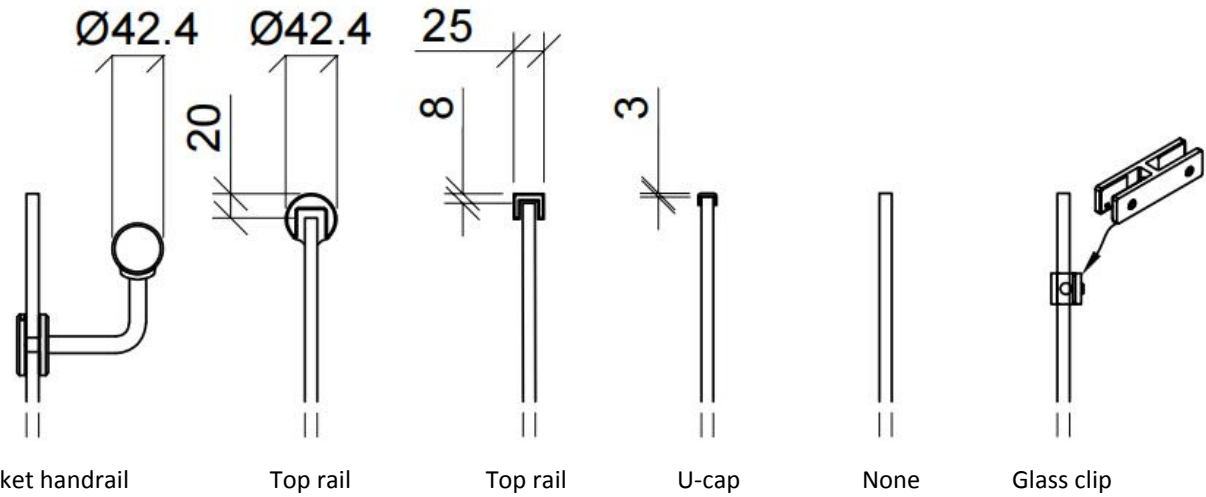
YX-FG1153: 28.5 - 33 mm

YX-FG1154: 32 - 37 mm

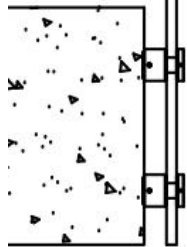
YX-FG1155: 35 - 65 mm

YX-FG1156: 35 - 65 mm

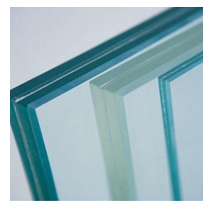
Handrail options:



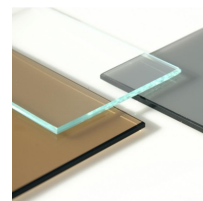
Available glass infill:



Clear monolithic



Clear laminated



Tinted

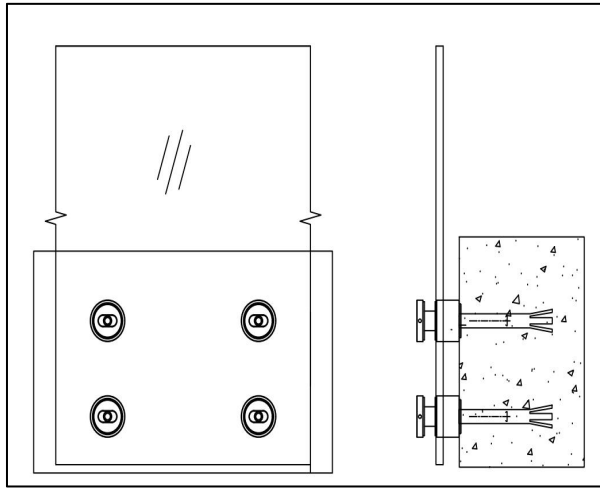


Bent

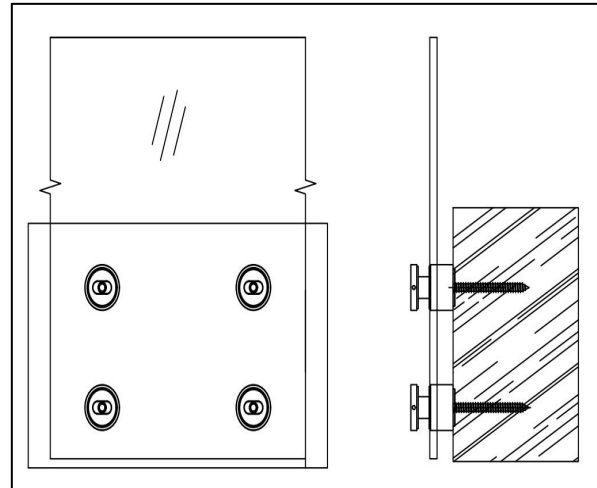


Frosted

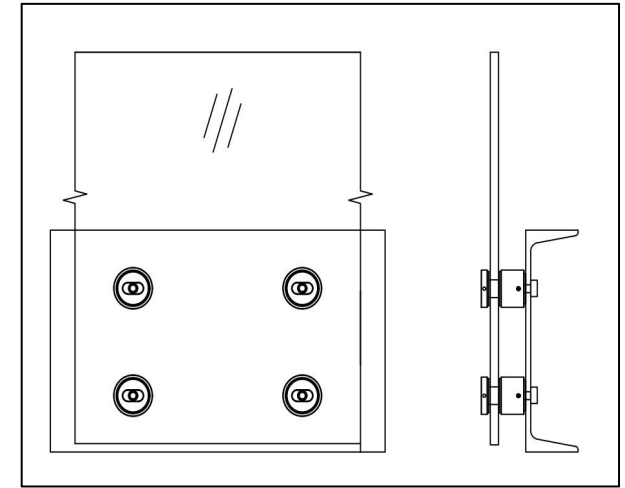
Railing installation



Anchored to concrete



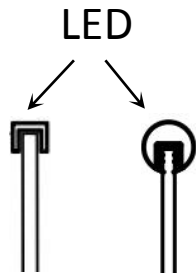
Anchored to wood



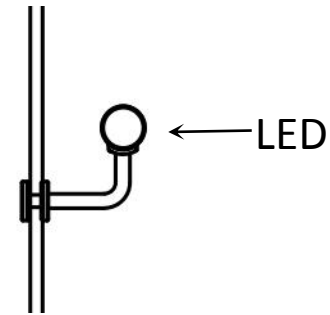
Anchored to steel channel

Illuminated railing options

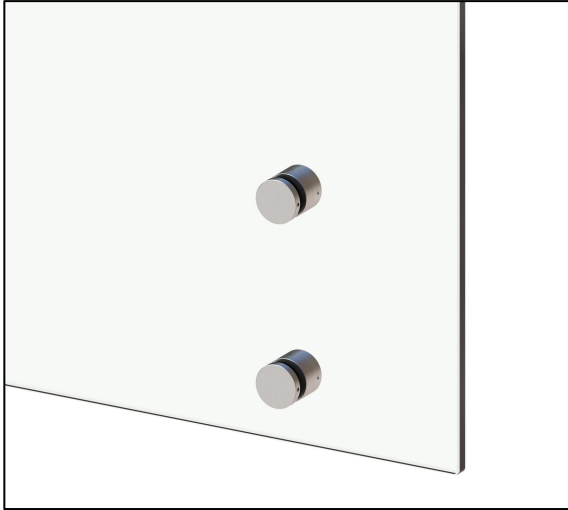
Opition 1
Illuminated top rail



Opition 2
Illuminated bracket handrail



Finish options

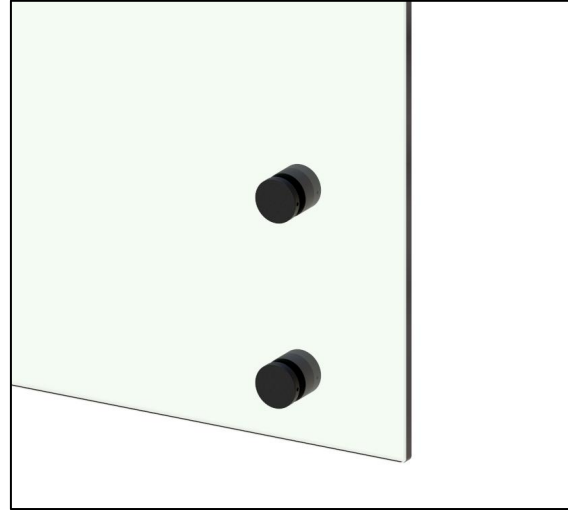


- **Stain**

Stain finish, also known as brushed finish, refers to a stainless steel surface that has been treated with a brushing process, creating a texture and sheen that resembles the natural grain of the metal.

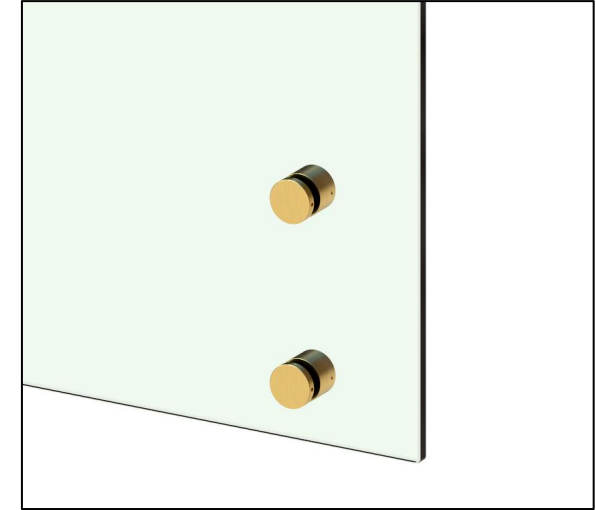
- **Mirror**

For mirror finish, the surface of stainless steel presents a bright state, like a mirror.



- **Powder coated**

A hard, wear-resistant, and corrosion-resistant coating is formed on the surface of the railing, making the railing have good decorative and protective properties.



- **Electroplating (PVD)**

Electroplating finish uses electrochemical processes to form a thin metal coating on the surface of stainless steel, improving its surface properties such as corrosion resistance, wear resistance, and aesthetics.



